

Technical Manual

JBL CONTROL 52/WH



SPECIFICATIONS

ACOUSTIC & ELECTRICAL SPECIFICATIONS:

- Rated Impedance: 16 Ohms
- Power Capacity: 50 Watts Continuous Program Power (2 hrs)
25 Watts Continuous Pink Noise (2 hrs)
30 Watts Continuous Pink Noise (100 hrs)
15 Watts Continuous Pink Noise (100 hrs)
- Frequency Response: 180 Hz - 17 kHz (± 3 dB)
- Frequency Range: 140 Hz - 20 kHz (-10 dB)
- Rated Maximum SPL: 94 dB average, 100 dB peak
- Nominal Sensitivity: 85 dB (4.0V @ 1 m = 1W)
82 dB (2.83V, 1 m)

SYSTEM COMPONENTS:

- Grille: 442478-001, 442478-002 (Wh)
- Low Frequency Driver: 60 mm (2.5 in) with polypropylene cone, butyl rubber surround, 19 mm (0.75 in) copper-clad coil, vented Nomex® former, secondary bucking magnet, and copper sleeved pole piece for high frequency extension
- DC Resistance: 12.2 ohms
- Terminal cup: 443824-001

AURAL SWEEP TEST SPECIFICATIONS:

- A. System Aural Sweep Test: 4V Input, 150 Hz - 20 kHz

PHYSICAL SPECIFICATIONS:

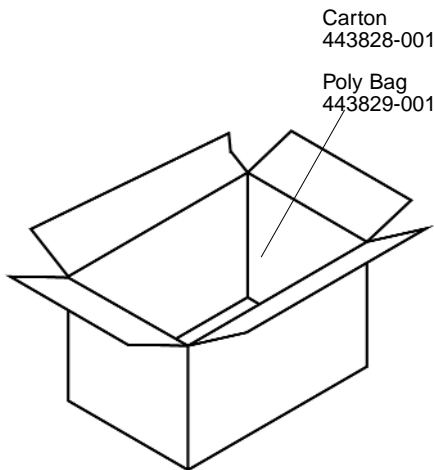
- Enclosure Dimensions: 115 x 84 x 96 mm D (4.5 x 3.3 x 3.75 in)
- Wall Bracket: 51 mm (2.0 in)
- Net Weight: 1.5 lb (0.7 kg)

WARRANTY INFORMATION:

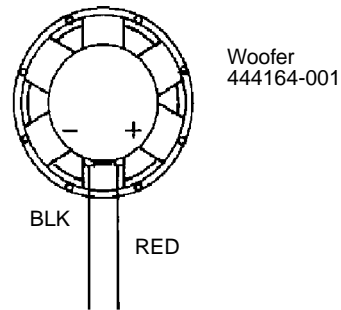
- Refer to Warranty Statement packed with each product.

PACKAGE

Warranty Card
59660



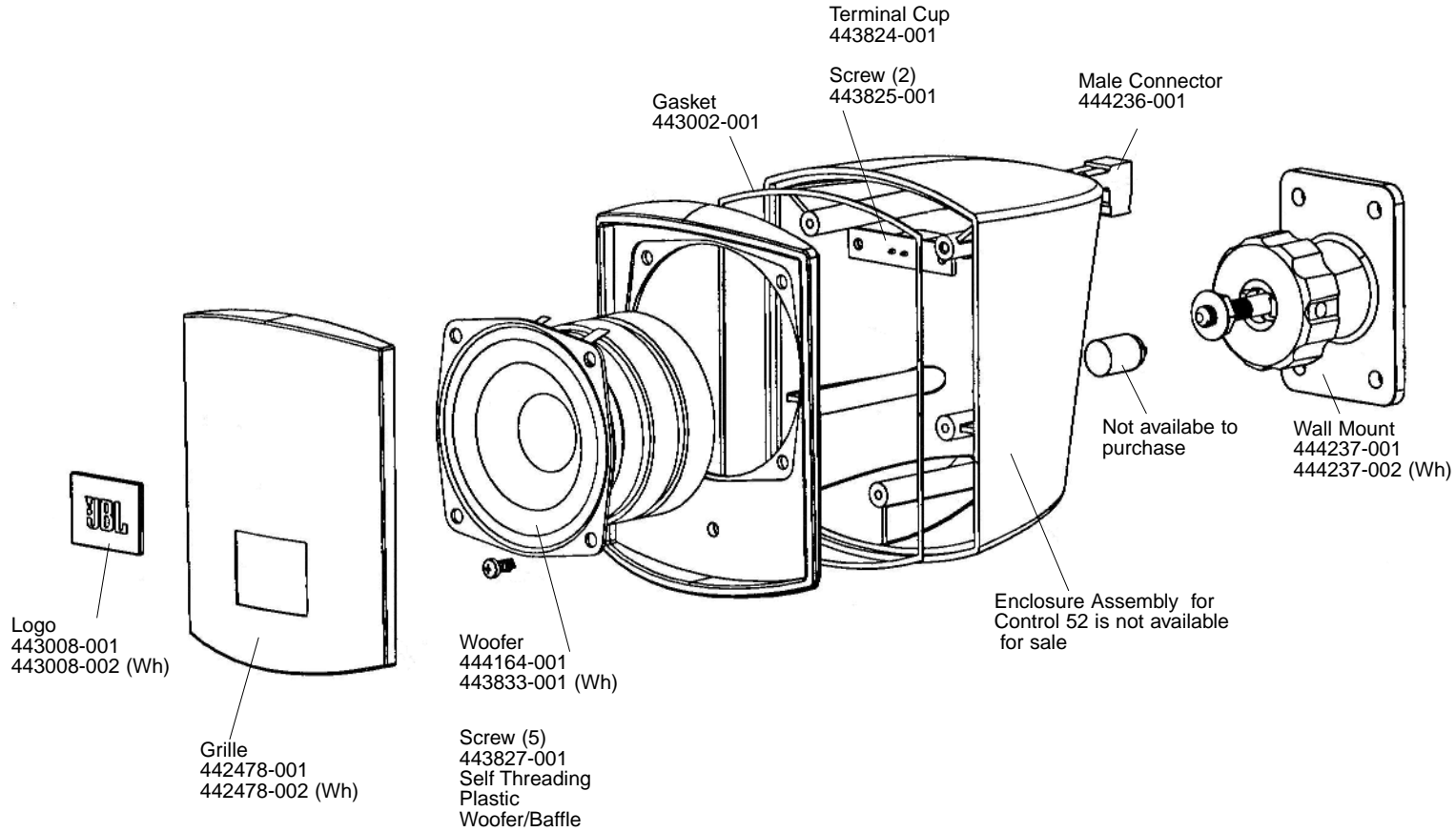
WIRING DIAGRAM



JBL CONTROL 52/WH REV B

JBL CONTROL 52/WH

COMPONENT EXPLODED VIEW



JBL CONTROL 52C/WH